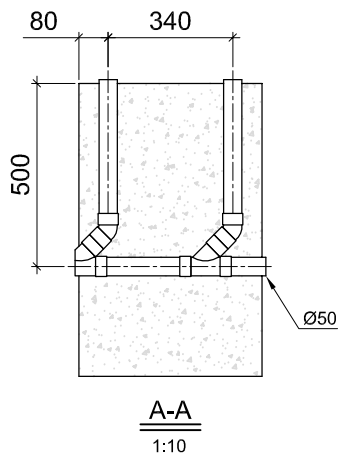
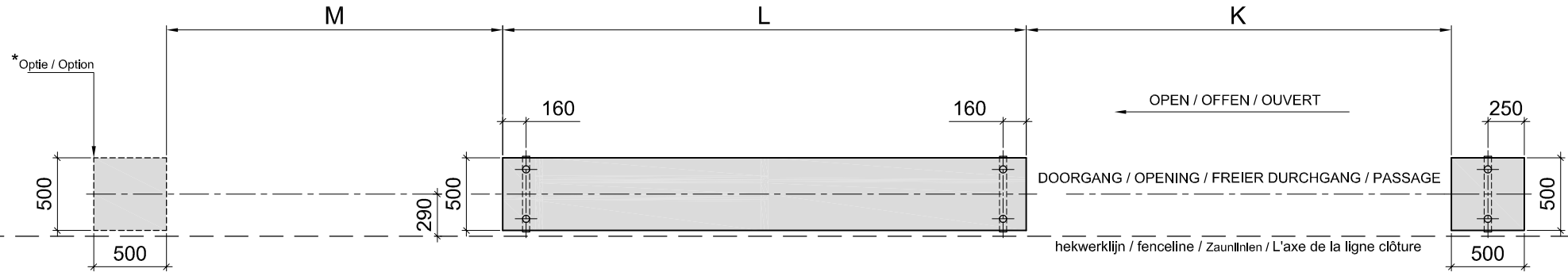


BINNENZIJDJE TERREIN / INSIDE TERRAIN / INNENSEITE / TERRAIN INTÉRIEUR



Opmerking/Remarks/Bemerkungen/Remarque:

Afhankelijk van de grondgesteldheid en de belasting dient de bewapening te worden berekend door de aannemer volgens EN 206-1, kwaliteit C20-25.

Depending on the condition of the soil and tax arms must be calculated by the assignee according to AND 206-1. Quality C20-25.

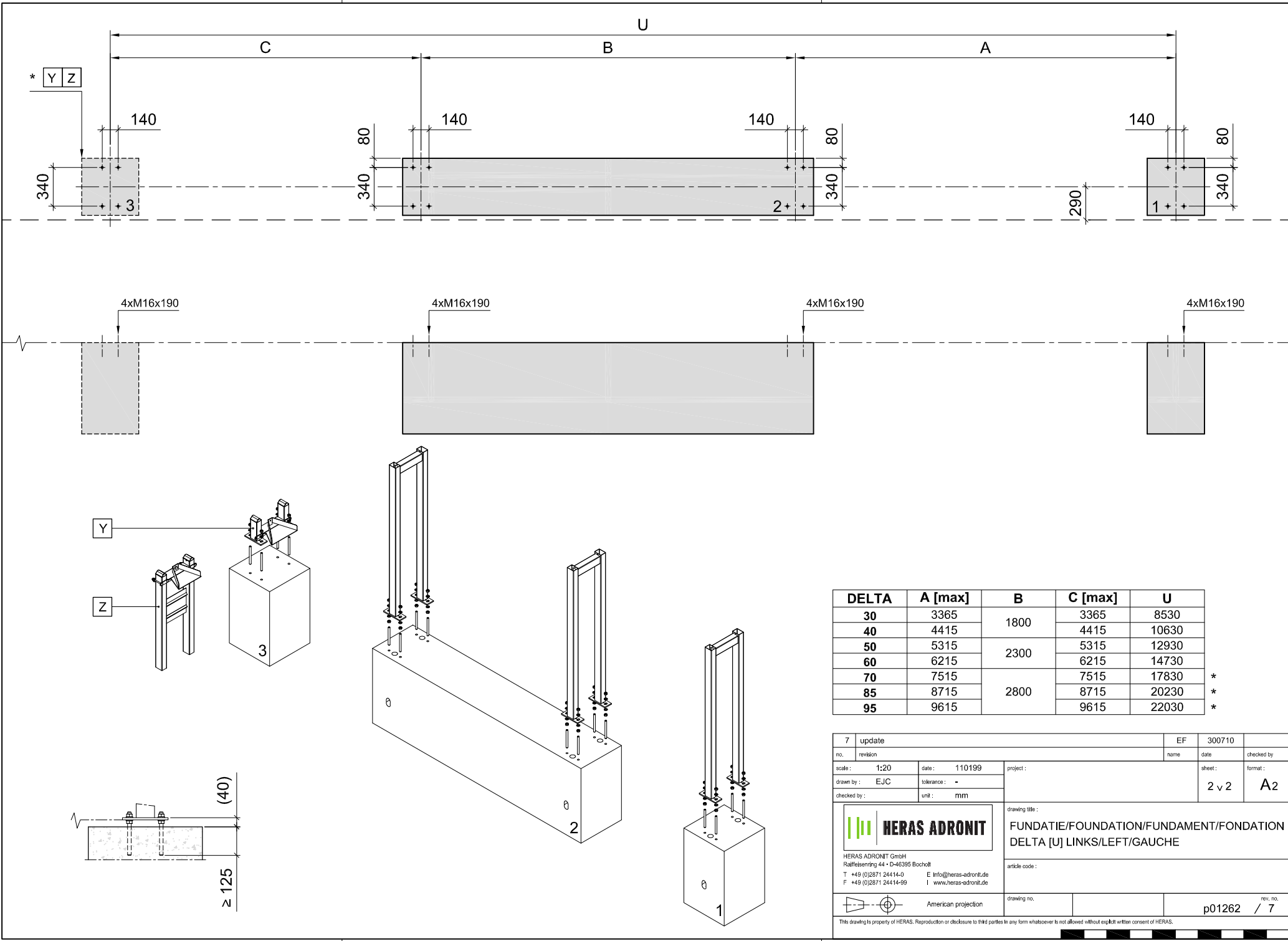
Abhängig von der Bodenbeschaffenheit und Belastung ist baueits laut Statik die Bewehrung durch den Bauunternehmer zu erstellen nach EN 206-1. Qualität C20-25.

Suivant le bodemgesteldheid et l'impôt l'armement doit être calculé par l'attributaire selon ET 206-1 la qualité C20-25.

DELTA [U]	K	L	M	kg
30	2955	2120	2955	186
40	4005		4005	219
50	4905	2620	4905	264
60	5805		5805	293
70	7105	3120	7105	346
85	8305		8305	350
95	9205		9205	350

*
*
*

7	update	EF	300710	
no.	revision	name	date	checked by
scale:	1:20	date:	010199	project:
drawn by:	EJC	tolerance:	-	sheet:
checked by:		unit:	mm	1 v 2
		drawing title: FUNDATIE/FOUNDATION/FUNDAMENT/FONDATION DELTA [U] LINKS/LEFT/GAUCHE		
HERAS ADRONIT GmbH Raiffeisenring 44 • D-46395 Bocholt T +49 (0)2871 24414-0 E info@heras-adronit.de F +49 (0)2871 24414-99 I www.heras-adronit.de		article code: drawing no.		
American projection		rev. no. p01262 / 7		



DELTA	A [max]	B	C [max]	U	
30	3365	1800	3365	8530	
40	4415		4415	10630	
50	5315	2300	5315	12930	
60	6215		6215	14730	
70	7515	2800	7515	17830	*
85	8715		8715	20230	*
95	9615		9615	22030	*

7 update		EF	300710	
no.	revision	name	date	checked by
scale:	1:20	date:	110199	project:
drawn by:	EJC	tolerance:	-	sheet:
checked by:		unit:	mm	2 v 2
				A2
		drawing title:		
HERAS ADRONIT GmbH Raiffeisenring 44 • D-46395 Bocholt T +49 (0)2871 24414-0 E info@heras-adronit.de F +49 (0)2871 24414-99 I www.heras-adronit.de		FUNDATIE/FOUNDATION/FUNDAMENT/FONDATION DELTA [U] LINKS/LEFT/GAUCHE		
		article code:		
		drawing no.		
		American projection		
				rev. no.
				p01262 / 7

This drawing is property of HERAS. Reproduction or disclosure to third parties in any form whatsoever is not allowed without explicit written consent of HERAS.